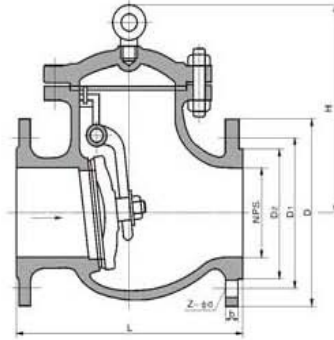


Deseen International

Cast steel valve and Stainless valve



产品执行标准 Production enforce standard

类型 Type	设计与制造 Desing And Manufacture	结构长度 Face to face/ End to end	法兰尺寸 Flange Dimension	压力-温度 Pressure Temperature Rating	试验 - 检验 Inspection and test
旋启式止回阀 Swing check valve	ANSI B16.34	ANSI B16.10	ANSI B16.15	ANSI B16.34	API 598
升降式止回阀 Lift check valve	BS 1968				

产品性能规范 Chief property and specification

公称压力(Lb) Nominal Pressore		150	300	600	900
强度试验 Shell test	MPa	3.1	7.8	15.3	23.1
	Lbf/in ²	450	1125	2225	3350
水密封试验 Water seal test	MPa	2.2	5.6	11.2	16.8
	Lbf/in ²	315	815	1630	2440
气密封试验 Air seal test	MPa	0.5 - 0.7			
	Lbf/in ²	60 - 100			

主要零件材料 Material for main parts

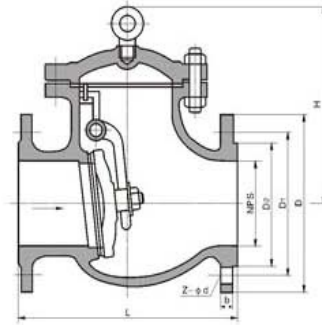
体、盖、瓣、摇杆、导向套 Body Cover Disk Hingesideway bush	销轴 Hinge pin	垫片 Sealing shim	密封面 Sealing Face	工作温度(℃) Working temperature	适用介质 Suitable medium
WCB	2Cr13	增强柔性石墨 1Cr13/柔性石墨 不锈钢/耐酸石棉 PTFE 齿型垫片 Enhanced flexible graphite 1Cr13/Flexible Graphite S.S/Aclic-proof asbestos Tooth profile gasket	13Cr STL 本体材料 PTFE 尼龙 With bodymater rial Nylon	≤425	水、蒸汽、油 品、硝酸类、 醋酸类、强氧化 介质、尿素 Water steam petroleum products Nitric acid Acetic acid
WC1				≤450	
WC6				≤540	
WC9				≤570	
C5 C12				≤550	
CF8	304	≤600			
CF3	316				
CF8M	304L				
CF3M	316L				

Deseen International

Cast steel valve and Stainless valve



Class 150Lb/300Lb/600Lb



主要外形和连接尺寸 Main external and connection dimension 单位Unit: mm

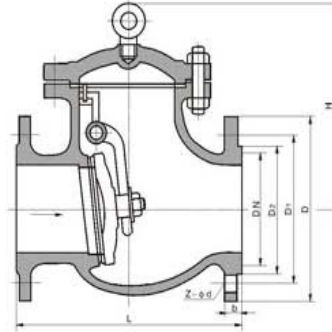
NPS		DN		Class 150Lb/300Lb/600Lb					重量
in	mm	L	D	D ₁	D ₂	b	Z-φd	H	WT(Kg)
2"	50	203	157	120.7	92	19.50	4-φ19	161	17
2 1/2"	65	216	178	139.7	105	22.5	4-φ19	180	23
3"	80	241	190.5	152.4	127	24	4-φ19	190	33
4"	100	292	229	190.50	157.2	24	8-φ19	220	44
6"	150	356	279	241.5	216	25.5	8-φ22.5	257	78
8"	200	495	343	298.5	270	29	8-φ22.5	292	137
10"	250	622	406	362	324	30.5	12-φ25	350	207
12"	300	698	483	432	381	32	12-φ25	398	279
14"	350	787	533	476.8	413	35	12-φ29	445	387
16"	400	864	597	539.8	470	37	16-φ29	490	446
18"	450	978	635	577.8	533	40	16-φ32	520	621
20"	500	978	698	635	584	43	20-φ32	546	770
24"	600	1295	813	749.3	692	48	20-φ35	880	970
2"	50	267	165	127	92	22.5	8-φ19	179.5	20
2 1/2"	65	292	190	150	105	25	8-φ22	190	24
3"	80	318	210	168	127	29.0	8-φ22.5	212.4	40
4"	100	356	254	200	157	32.0	8-φ22.5	246	51
6"	150	445	317.5	269.7	216	37.0	12-φ22.5	292	90
8"	200	533	381	330	270	41.5	12-φ25.5	328	175
10"	250	622	444.5	387	324	48.0	16-φ28.5	378.6	210
12"	300	711	521	451	381	51.0	16-φ32	420	286
14"	350	838	584	514	54	54	20-φ32	470	400
16"	400	864	648	572	57	57	20-φ35	530	550
18"	450	978	711	629	60	60	24-φ35	584	700
20"	500	1016	775	686	64	64	24-φ35	610	860
24"	600	1346	914	813	70	70	24-φ41	860	1931
2"	50	292	165	127	92	25	8-φ19	203	34
2 1/2"	65	330	190	150	105	29	8-φ22	229	45
3"	80	356	210	168	127	32	8-φ22	235	63
4"	100	432	273	216	157	38	8-φ25	286	114
6"	150	559	356	292	216	48	8-φ29	330	207
8"	200	660	419	349	270	56	12-φ29	381	387
10"	250	787	508	432	324	64	12-φ32	457	580
12"	300	838	559	489	381	67	16-φ35	584	778
14"	350	889	603	527	413	70	20-φ38	635	9869
16"	400	991	686	603	470	76	20-φ41	684	1350

Deseen International

Cast steel valve and Stainless valve



H44H(Y)-16-25P/R/I



主要外形和连接尺寸 Main external and connection dimension 单位Unit: mm

公称通径 DN	主要外形尺寸和连接尺寸(mm) Main external and connecting dimensions							重量 WT (Kg)
	L	D	D ₁	D ₂	b	Z-φd	H	
	H44H-16C		H44W-16C	H44W-16P	H44W-16R	H44W-16I		
50	230	160	125	100	16	4-φ18	135	21
65	290	180	145	120	18	4-φ18	142	28
80	310	195	160	135	20	8-φ18	165	38
100	350	215	180	155	20	8-φ18	180	58
125	400	245	210	185	22	8-φ18	210	92
150	480	280	240	210	24	8-φ23	233	130
200	500	335	295	265	26	12-φ23	304	210
250	550	405	355	320	30	12-φ25	348	294
300	650	460	410	375	30	12-φ25	390	367
350	750	520	470	435	34	16-φ25	430	410
400	850	580	525	485	36	16-φ30	468	461
450	950	640	585	545	40	20-φ30	523	570
500	1025	705	650	608	44	20-φ34	525	850
	H44W-25		H44W-25	H44W-25P	H44W-25R	H44W-25I		
50	230	160	125	100	20	4-φ18	160	22
65	290	180	145	120	22	8-φ18	175	29
80	310	195	160	135	22	8-φ18	185	38
100	350	230	190	160	24	8-φ23	220	61
125	400	270	220	188	28	8-φ25	248	96
150	480	300	250	218	30	8-φ25	276	132
200	550	360	310	278	34	12-φ25	350	213
250	650	425	370	332	36	12-φ30	410	297
300	750	485	430	390	40	16-φ30	430	372
350	850	550	490	448	44	16-φ34	518	415
400	950	610	550	505	48	16-φ34	560	480
450	1025	660	600	555	50	20-φ34	582	610
500	1150	730	660	610	52	20-φ41	618	920

Deseen International

Cast steel valve and Stainless valve



H44H(Y)-40-64P/R/I

主要外形和连接尺寸 Main external and connection dimension 单位Unit: mm

公称直径 DN	主要外形尺寸和连接尺寸(mm) Main external and connecting dimensions										WT (Kg)
	L	D	D ₁	D ₂	D ₆	b	f	f ₂	Z-φd	H	
	H44H-40		H44W-40		H44W-40P		H44W-40R		H44W-40I		
50	230	160	125	100	88	20	3	4	4-φ18	169	22
65	290	180	145	120	110	22	3	4	8-φ18	173	29
80	310	195	160	135	121	22	3	4	8-φ18	185	38
100	350	230	190	160	150	24	3	4.5	8-φ23	220	61
125	400	270	220	188	176	28	3	4.5	8-φ25	248	96
150	480	300	250	218	204	30	3	4.5	8-φ25	270	132
200	550	375	320	282	260	38	3	4.5	12-φ30	342	213
250	650	445	385	345	313	42	3	4.5	12-φ34	401	297
300	750	510	450	408	364	46	4	4.5	16-φ34	423	372
350	850	570	510	465	422	52	4	5	16-φ34	455	415
400	950	655	585	535	474	58	4	5	16-φ41	510	480

主要外形和连接尺寸 Main external and connection dimension 单位Unit: mm

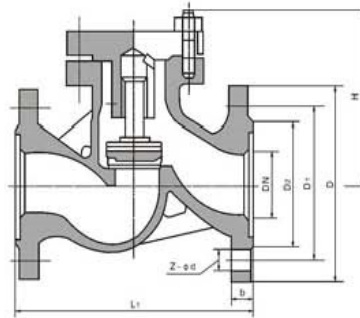
公称直径 DN	主要外形尺寸和连接尺寸(mm) Main external and connecting dimensions										WT (Kg)
	L	D	D ₁	D ₂	D ₆	b	f	f ₂	Z-φd	H	
	H44H-64		H44W-64		H44W-64P		H44W-64R		H44W-64I		
50	300	175	135	105	88	26	3	4	4-φ23	177	27
65	340	200	160	130	110	28	3	4	8-φ23	197	37
80	380	210	170	140	121	30	3	4	8-φ23	212	57
100	430	250	200	168	150	32	3	4.5	8-φ25	248	89
125	500	295	240	202	176	36	3	4.5	8-φ30	296	135
150	550	340	280	240	204	38	3	4.5	8-φ34	330	184
200	650	405	345	300	260	44	3	4.5	12-φ34	385	266
250	775	470	400	352	313	48	3	4.5	12-φ41	445	396
300	900	530	460	412	364	54	4	4.5	16-φ41	474	643
350	1025	595	525	475	422	60	4	5	16-φ41	514	815
400	1150	670	585	525	474	66	4	5	16-φ48	616	1234

Deseen International

Cast steel valve and Stainless valve



H41H(Y)-16-25C/P/R/I



主要外形和连接尺寸 Main external and connection dimension 单位Unit: mm

公称口径 DN	主要外形尺寸和连接尺寸(mm) Main external and connecting dimensions							WT (Kg)
	L	D	D ₁	D ₂	b	Z-φd	H	
			H41H-16C	H41W-16C	H41W-16P	H41W-16R	H41W-16I	
15	130	95	65	45	14	4-φ14	77	3
20	150	105	75	55	14	4-φ14	77	4
25	160	115	85	65	14	4-φ14	80	5
32	180	135	100	78	16	4-φ18	85	7
40	200	145	110	85	16	4-φ18	95	9
50	230	160	125	100	16	4-φ18	105	10
65	290	180	145	120	18	4-φ18	120	20
80	310	195	160	135	20	8-φ18	130	30
100	350	215	180	155	20	8-φ18	140	39
125	400	245	210	185	22	8-φ18	155	50
150	480	280	240	210	24	8-φ23	180	70
200	600	335	295	265	26	12-φ23	215	161
250	730	405	355	320	30	12-φ25	260	251
300	850	460	410	375	34	12-φ25	315	395
			H41H-25	H41W-25	H41W-25P	H41W-25R	H41W-25I	
15	130	95	65	45	16	4-φ14	100	3.4
20	150	105	75	55	16	4-φ14	105	5
25	160	115	85	65	16	4-φ14	120	5.7
32	180	135	100	78	18	4-φ18	130	9.1
40	200	145	110	85	18	4-φ18	135	11.8
50	230	160	125	100	20	4-φ18	149	14.4
65	290	180	145	120	22	8-φ18	160	23
80	310	195	160	135	22	8-φ18	169	30
100	350	230	190	160	24	8-φ23	194	44
125	400	270	220	180	28	8-φ25	222	65
150	480	300	250	218	30	8-φ25	255	99
200	600	360	310	278	34	12-φ25	305	190
250	730	425	370	332	36	12-φ30	355	315
300	850	485	430	390	40	16-φ30	410	450

Deseen International

Cast steel valve and Stainless valve



H41H(Y)-40-64P/R/I

主要外形和连接尺寸 Main external and connection dimension 单位Unit: mm

公称直径 DN	主要外形尺寸和连接尺寸(mm) Main external and connecting dimensions								WT (Kg)
	L	D	D ₁	D ₂	D ₆	b	Z-φd	H	
	H41H-40	H41W-40	H41W-40P	H41W-40R	H41W-40I				
15	130	95	65	45	40	16	4-φ14	100	4
20	150	105	75	55	51	16	4-φ14	105	5.5
25	160	115	85	65	58	16	4-φ14	120	6
32	180	135	100	78	66	18	4-φ18	130	12
40	200	145	110	85	76	18	4-φ18	135	14
50	230	160	125	100	88	20	4-φ18	149	18
65	290	180	145	120	110	22	8-φ18	160	27
80	310	195	160	135	121	22	8-φ18	169	36
100	350	230	190	160	150	24	8-φ23	194	50
125	400	270	220	188	176	28	8-φ25	225	75
150	480	300	250	218	204	30	8-φ25	255	119
200	600	375	320	282	260	38	12-φ30	305	217
250	730	445	385	345	313	42	12-φ34	360	365
300	850	510	450	408	364	46	12-φ34	415	310

主要外形和连接尺寸 Main external and connection dimension 单位Unit: mm

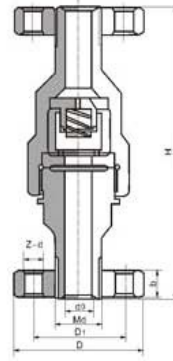
公称直径 DN	主要外形尺寸和连接尺寸(mm) Main external and connecting dimensions								WT (Kg)
	L	D	D ₁	D ₂	D ₆	b	Z-φd	H	
	H41H-64	H41W-64	H41W-64P	H41W-64R	H41W-64I				
15	210	105	75	55	40	18	4-φ14	100	7
20	230	125	90	68	51	20	4-φ18	110	11
25	230	135	100	78	58	22	4-φ18	125	13
32	260	150	110	82	66	24	4-φ23	140	14
40	260	165	125	95	76	24	4-φ23	168	20
50	300	175	135	105	88	26	4-φ23	170	23
65	340	200	160	130	110	28	8-φ23	188	37
80	380	210	170	140	121	30	8-φ23	205	46
100	430	250	200	168	150	32	8-φ25	230	68
125	500	295	240	202	176	36	8-φ30	230	89
150	550	340	280	240	204	38	8-φ34	265	131
200	650	405	345	300	260	44	12-φ34	310	235

Deseen International

Cast steel valve and Stainless valve



PN16.0-32.0



主要外形和连接尺寸 Main external and connection dimension 单位Unit: mm

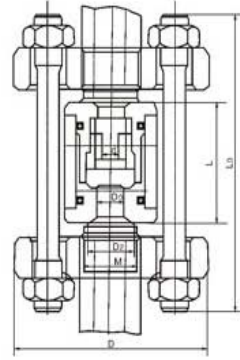
公称压力 PN	主要外形尺寸和连接尺寸(mm) Main external and connecting dimensions								重量 WT (Kg)
	DN	D ₀	D	D ₁	Md	Z-d	H	b	
16.0MPa	15	15	95	60	M24×2	3-18	240	20	5.5
	25	23	105	68	M33×2	3-18	262	20	7.5
	32	29	115	80	M42×2	4-18	285	22	10
	40	39	165	115	M52×2	6-26	285	28	19.5
32.0MPa	10	11	95	60	M24×2	3-18	234	20	5.5
	15	17	105	68	M33×2	3-18	240	20	6
	25	23	115	80	M42×2	4-18	262	22	8.5
	32	29	135	95	M48×2	4-22	285	25	12
	40	42	165	115	M64×2	6-26	316	32	21

Deseen International

Cast steel valve and Stainless valve



PN16.0MPa~32.0MPa



主要外形和连接尺寸 Main external and connection dimension 单位Unit: mm

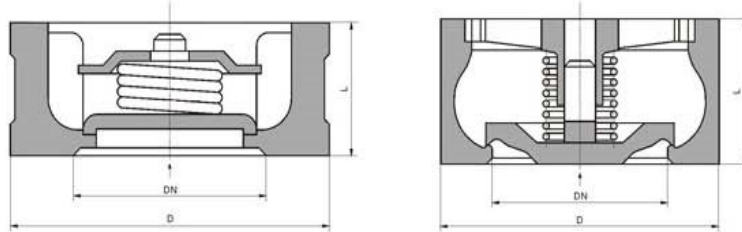
公称 压力 PN	主要外形尺寸和连接尺寸(mm) Main external and connecting dimensions								WT (Kg)
	DN	D	M	D ₂	D ₀	L ₀	d	L	
16.0 MPa	15	95	M24 × 2	20	16	145	42	60	5
	25	105	M33 × 2	28	23	155	50	65	10
	32	115	M42 × 2	37	29	175	62	80	15
	40	165	M52 × 2	42	39	215	72	90	20
	50	165	M64 × 2	58	50	245	88	115	30
	65	200	M80 × 2	73	65	300	115	140	45
	80	225	M100 × 2	93	80	345	135	160	60
32.0 MPa	15	105	M33 × 2	27	17	155	50	65	5
	25	115	M42 × 2	35	22	175	62	80	10
	32	135	M48 × 2	41	30	200	72	90	15
	40	165	M60 × 3	58	42	245	88	115	20
	50	200	M80 × 3	70	58	300	115	140	30
	65	215	M100 × 3	90	68	345	135	160	45
	80	260	M125 × 4	112	85	395	165	185	60

Deseen International

Cast steel valve and Stainless valve



H71H(W)-16-40C/P/R



主要外形和连接尺寸 Main external and connection dimension 单位Unit: mm

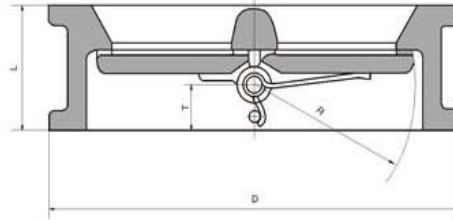
公称通径 DN	L	D			WT (Kg)
		1.6MPa	2.5MPa	4.0MPa	
H71H-16C H71H-25 H71H-40 H71W-16P H71W-25P H71W-40P H71W-16R H71W-25R H71W-40R					
15	25	48	48	48	0.3
20	31.5	58	58	58	0.5
25	35.5	68	68	68	0.8
32	40	80	80	80	1.3
40	45	90	90	90	1.6
50	56	105	105	105	2.3
65	63	125	125	125	3.3
80	71	140	140	140	4.4
100	80	160	165	165	5.6
125	110	190	195	195	9.2
150	125	215	225	225	12.5
200	160	270	285	290	16.5
250	200	330	340	350	20
300	250	385	400	415	27

Deseen International

Cast steel valve and Stainless valve



H76H/H76W/H76X-10-40C/P/R



主要外形和连接尺寸 Main external and connection dimension 单位Unit: mm

公称通径 DN	PN1.0(MPa)		WT (Kg)	PN1.6(MPa)		WT (Kg)	PN2.5(MPa)		WT (Kg)	PN4.0(MPa)		WT (Kg)
	L	D		L	D		L	D		L	D	
	H76H-10C H76W-10P H76W-10R H76H-16C H76W-16P H76W-16R H76H-25 H76W-25P H76W-25R H76H-40 H76Y-40P H76Y-40R											
50	60	109	1.8	60	109	1.8	60	109	2	60	109	2.4
65	67	129	2.6	67	129	2.6	67	129	3.2	67	129	3.8
80	73	144	3.6	73	144	4.2	73	144	4.8	73	144	5.6
100	73	164	4.8	73	164	5.2	73	170	6	73	170	7.5
125	83	194	6.3	83	194	6.7	83	198	9	83	198	11
150	98	220	8.7	98	220	9.4	98	228	12	98	228	15
200	127	275	16.5	127	275	18.7	127	288	22	127	293	27
250	146	330	26.2	146	333	29.4	146	343	38	146	355	48
300	181	380	42.3	181	388	48.5	181	403	54	181	420	78
350	184	440	58	184	448	66	184	460	80	222	480	116
400	198	493	76	198	498	90	198	520	118	232	549	152
450	203	543	98	203	558	130	-	-	-	-	-	-
500	219	598	120	219	630	186	-	-	-	-	-	-
600	222	698	235	222	734	298	-	-	-	-	-	-

主要外形和连接尺寸 Main external and connection dimension 单位Unit: mm

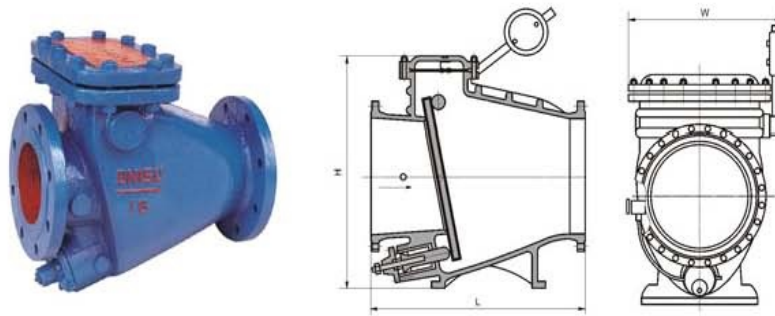
公称通径 DN	L	D	d ₀	R	t	WT(Kg)
	H76X-10 H76X-16 H76X-16C					
50	43	107	69	29	19	1.5
65	46	127	84	20	20	2.4
80	64	142	103	26	26	3.6
100	64	162	121	28	28	5.7
125	70	192	135	30	30	7.3
150	76	218	180	31	31	9
200	89	273	250	33	33	17
250	114	328	260	45	45	26
300	114	378	312	48	48	42
350	127	438	365	50	50	55
400	140	489	415	54	54	75
450	152	539	468	58	58	107
500	152	594	526	60	60	111
600	178	695	626	73	73	165

Deseen International

Cast steel valve and Stainless valve



HH44T/44X/44H/44T-10-25(C)



主要外形和连接尺寸 Main external and connection dimension

单位Unit: mm

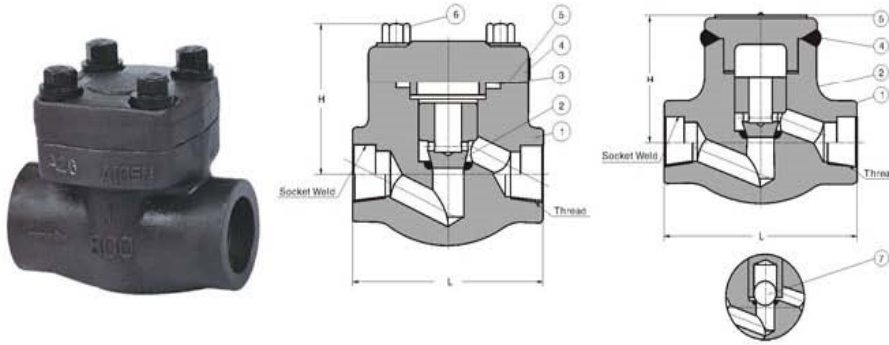
公称通径 DN	主要外形尺寸和连接尺寸(mm) Main external and connecting dimensions			WT (Kg)
	L	W	H	
	HH44T-10 HH44X-10 HH44H-10C HH44T-16 HH44X-16 HH44H-16C HH44T-25 HH44X-25 HH44H-25			
50	230	270	300	58
65	290	290	320	70
80	310	300	354	83
100	350	320	350	120
125	400	340	380	146
150	480	410	500	175
200	500	450	580	205
250	600	550	670	427
300	700	580	730	597
350	800	630	820	800
400	900	700	920	1168
450	1000	800	950	1460
500	1100	900	1100	1795
600	1300	990	1200	2125
700	1400	1120	1550	2668
800	1500	1300	1700	3050

Deseen International

Cast steel valve and Stainless valve



H11H(Y)41/61-16-160, H11Y/41/61-800Lb



主要外形和连接尺寸 Main external and connection dimension 单位Unit: mm

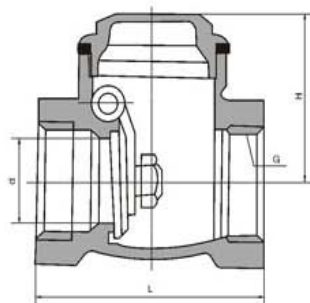
公称 通径 DN	主要外形尺寸和连接尺寸(mm) Main external and connecting dimensions							WT(Kg)	
	L	d	S	L ₁	T	L ₂	H	FLD.	SC/SW
	H41H-16C H41H-25 H41H-40 H11H-16C H11H-25 H11H-40 H61H-16C H61H-25 H61H-40 H41H-64 H41Y-100 H41Y-160 H11H-64 H11Y-100 H11Y-160 H61H-64 H61Y-100 H61Y-160 H41Y-800Lb H11Y-800Lb H61Y-800Lb H61Y-800Lb								
15	90	13	22.5	10	1/2	15	61	3.0	1.5
20	100	18	28.5	11	3/4	17	78	4.0	3.0
25	120	23	34.5	12	1	19	84	5.8	3.9
32	140	28	43	14	1 1/4	21	103	8.5	5.6
40	170	36	49	15	1 1/2	21	118	10.1	8.9
50	200	45	61	16	2	25	132	15.6	12.5

Deseen International

Cast steel valve and Stainless valve



H14W-16-25(P/T), X13W-10(T/P/R)



主要外形和连接尺寸 Main external and connection dimension 单位Unit: mm

公称通径 DN	G	d	L	H	Cv	WT(Kg)	
			H14W-16P	H14W-16T	H14W-25P	H14W-25T	
15	1/2"	15	65	44	6.9	0.6	
20	3/4"	20	80	53	16.3	0.8	
25	1"	25	90	58	30.0	1.5	
32	1 1/4"	32	105	62	49.0	2.0	
40	1 1/2"	38	120	73	72.0	3.2	
50	2"	50	141	78	130	5.0	

主要外形和连接尺寸 Main external and connection dimension 单位Unit: mm

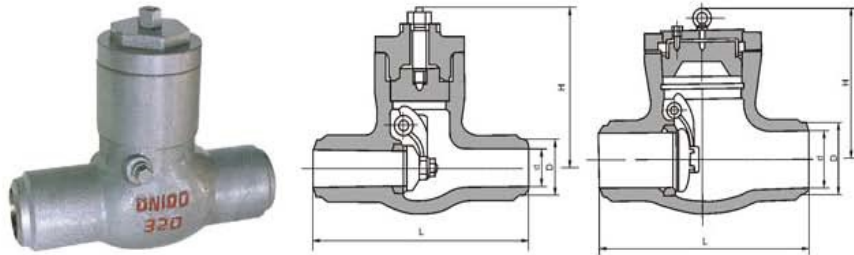
公称通径 DN	L	G	B	□S	H1	H	WT (Kg)
			X13W-10T	X13T-10	X13W-10	X13W-10P	X13W-10R
15	85	1/2"	14	11	26	73	0.6
20	90	1"	16	14	34	95	1.0
25	110	1 1/4"	18	17	38	95	1.5
32	130	3/4"	20	19	45	107	2.5
40	150	1 1/2"	22	22	55	157	4
50	170	2"	24	27	74	186	7
65	220	2 1/2"	26	32	82	213	11.5
80	250	3"	30	36	125	202	16.5
100	300	4"	30	46	135	290	22

Deseen International

Cast steel valve and Stainless valve



H64Y-1500Lb~2500Lb



主要外形和连接尺寸 Main external and connection dimension 单位Unit: mm

in	mm	主要外形尺寸和连接尺寸(mm) Main external and connecting dimensions			WT (Kg)
		L	d	H	
H64Y-1500Lb					
2 1/2"	65	254	56	250	35
3"	80	305	64	300	45
4"	100	406	84	350	80
5"	125	483	100	425	115
6"	150	559	126	400	180
8"	200	711	158	490	270
10"	250	864	200	540	430
12"	300	991	250	650	630
14"	350	1067	280	710	810
H64Y-2000Lb					
2 1/2"	65	330	50	240	40
3"	80	368	60	305	60
4"	100	457	80	315	95
5"	125	533	88	380	110
6"	150	610	118	425	160
8"	200	762	148	480	330
10"	250	914	180	570	540
12"	300	1041	222	570	800
14"	350	1118	254	680	930
H64Y-2500Lb					
3"	80	368	56	270	70
4"	100	457	75	385	110
5"	125	533	86	410	130
6"	150	610	104	455	180
8"	200	762	136	555	380
10"	250	914	162	615	730
12"	300	1041	210	715	1120
14"	350	1118	234	790	1495